

Standard Equipment

Engine/Fuel system

- Double-element air cleaner
- Electric fuel pump

Undercarriage

- 230mm rubber track

Hydraulic system

- Pressure accumulator
- Hydraulic pressure checking ports
- Third line hydraulic return
- Variable pump

Safety system

- Engine start safety system on the left console
- Travel lock system
- Swivel lock system

Working equipment

- 950mm arm
- Auxiliary hydraulic circuit piping to the arm's end
- 1 working light on the boom

Cabin

- ROPS (Roll-Over Protective Structure, ISO3471)
- FOPS (Falling Objects Protective Structure) level 1
- Weight-adjustable semi suspension seat
- Seatbelt
- Hydraulic pilot control levers with wrist rests
- Cabin heater for defrosting & demisting
- Emergency exit hammer
- Front window power-assisted with 2 gas damper
- 12V power source
- Location for radio
- Back mirror
- Switch and harness for beacon light

Canopy

- ROPS (Roll-Over Protective Structure, ISO3471)
- FOPS (Falling Objects Protective Structure) level 1
- Weight-adjustable semi suspension seat
- Seatbelt
- 12V power source
- Hydraulic pilot control levers with wrist rests
- Switch and harness for beacon light

Optional Equipment

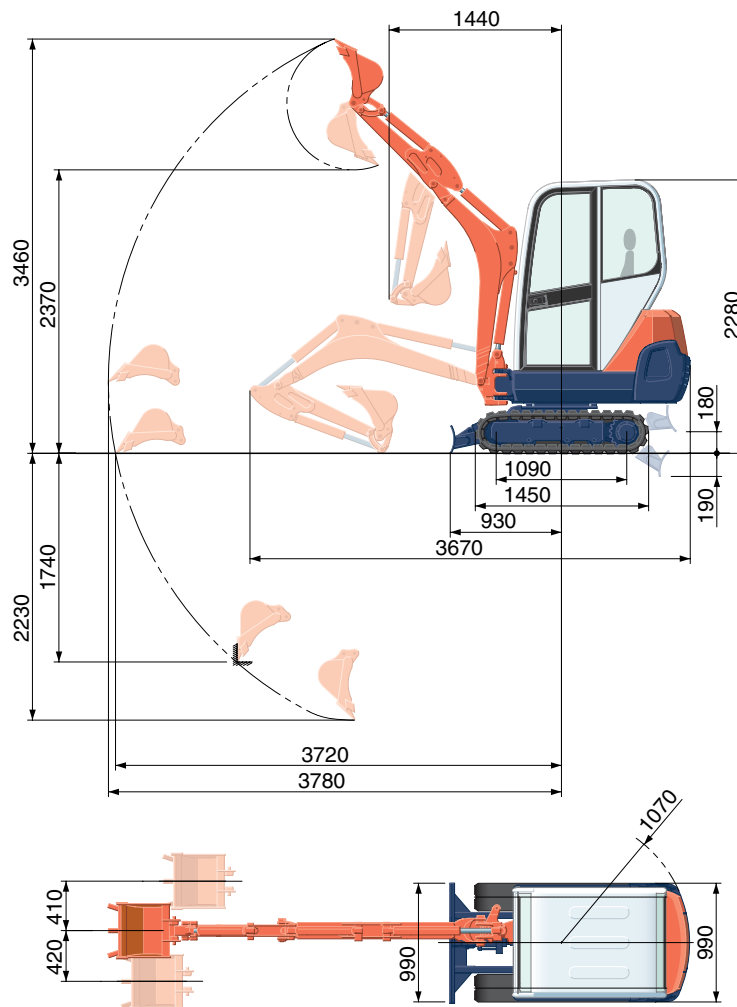
- 2 speakers and radio antenna
- 2 working lights on the cabin



SPECIFICATIONS

| | | *Rubber shoe type | |
|--------------------------------|---------------------|--------------------------------------|----------------------------|
| Machine weight | Cabin | kg | 1580 |
| | Canopy | kg | 1490 |
| Bucket capacity, std. SAE/CECE | | m ³ | 0.035 |
| Bucket width | with side teeth | mm | 422 |
| | without side teeth | mm | 402 |
| Model | | D782-BH | |
| Type | | Water-cooled diesel engine E-TVCS | |
| Engine | Output ISO9249 | PS/rpm | 12/2300 |
| | | kW/rpm | 9/2300 |
| | Number of cylinders | 3 | |
| | Bore x stroke | mm 67 x 73.6 | |
| Displacement | | cc | 778 |
| Overall length | | mm | 3670 |
| Overall height | Cabin | mm | 2280 |
| | Canopy | mm | 2280 |
| Swivelling speed | | rpm | 9.1 |
| Rubber shoe width | | mm | 230 |
| Tumbler distance | | mm | 1090 |
| Dozer size (width x height) | | mm | 990 x 230 |
| Hydraulic pumps | P1,P2 | | Variable displacement pump |
| | Flow rate | ℓ/min | 16.6 |
| | Hydraulic pressure | MPa(kgf/cm ²) | 20.6 (210) |
| | P3 | | Gear type |
| Flow rate | | ℓ/min | 10.4 |
| Hydraulic pressure | | MPa(kgf/cm ²) | 20.1 (205) |
| Max. digging force | Arm | kN (kgf) | 7.2 (735) |
| | Bucket | kN (kgf) | 13.0 (1327) |
| Boom swing angle (left/right) | | deg | 73/50 |
| Auxiliary circuit | Flow rate | ℓ/min | 27 |
| | Hydraulic pressure | MPa(kgf/cm ²) | 20.6 (210) |
| Hydraulic reservoir | | ℓ | 27 |
| Fuel tank capacity | | ℓ | 21 |
| Max. travelling speed | Low | km/h | 2.2 |
| | High | km/h | - |
| Ground contact pressure | Cabin | kPa(kgf/cm ²) | 26.4 (0.27) |
| | Canopy | kPa(kgf/cm ²) | 24.7 (0.25) |
| Ground clearance | | mm | 160 |

WORKING RANGE



(): Long Arm Unit: mm

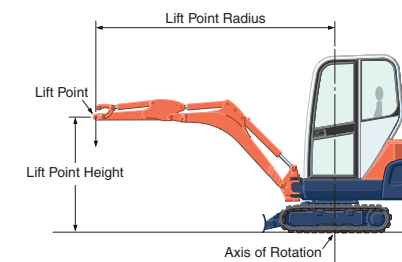
LIFTING CAPACITY

| Lift Point Height | kN (ton) | | | | | |
|-------------------|---------------------------|------------|------------|---------------------------|------------|------------|
| | Lifting point radius (2m) | | | Lifting point radius (3m) | | |
| | Over-front | | Over-side | Over-front | | Over-side |
| 1.5m | Blade Down | Blade Up | Over-side | Blade Down | Blade Up | Over-side |
| 1.0m | 3.8 (0.39) | 3.6 (0.36) | 2.8 (0.28) | 3.5 (0.35) | 1.8 (0.19) | 1.4 (0.15) |
| 0.5m | 5.4 (0.55) | 3.4 (0.34) | 2.6 (0.26) | 3.6 (0.36) | 1.8 (0.18) | 1.4 (0.14) |
| 0m | 6.4 (0.65) | 3.1 (0.32) | 2.4 (0.24) | 3.6 (0.36) | 1.7 (0.18) | 1.4 (0.14) |
| | 6.3 (0.64) | 3.0 (0.31) | 2.3 (0.23) | 3.4 (0.35) | 1.7 (0.17) | 1.3 (0.13) |

Please note:

* The lifting capacities are based on ISO 10567 and do not exceed 75% of the static tilt load of the machine or 87% of the hydraulic lifting capacity of the machine.

* The excavator bucket, hook, sling and other lifting accessories are not included on this table.



* Working ranges are with Kubota standard bucket, without quick coupler.
* Specifications are subject to change without notice for purpose of improvement.

KUBOTA (U.K.) LTD

Dormer Road, Thame Oxfordshire,
OX93UN, U.K.
Phone : 01844-268140
F a x : 01844-216685

KUBOTA MINI-EXCAVATOR

KX36-3



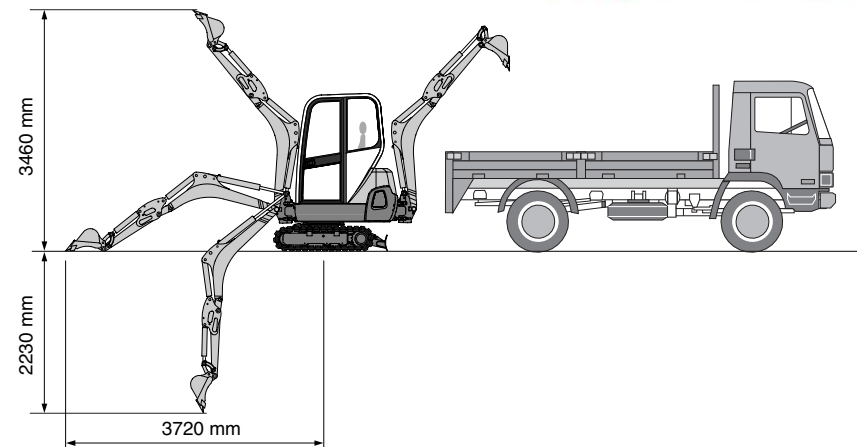
Powerful digging force. Increased dig depth. Spacious cabin. The advanced KX36-3 lets you take on a variety of tasks.

To make your business expand, you've got to take on more jobs. To take on more jobs, you need a more versatile excavator. Like the 1.5-ton Kubota KX36-3 compact excavator. Tapping 30 years of experience in excavator development, we designed the KX36-3 to be second to none at efficiently handling the broadest range of jobs. It features a more powerful bucket digging force, increased dig depth, well-protected boom cylinder and hydraulic hoses, comfortable cabin, and more. The KX36-3's versatility makes it ideal for all construction applications and users-from owner operators to plant hire fleet operators and from landscaping to civil engineering.



Digging arm and bucket

The KX36-3 comes with the biggest boom lifting force. A long arm, now a standard feature, provides increased dig depth and digging radius. The end result is a performance that gives you the confidence to take on the toughest jobs.



Deluxe cabin

To minimise fatigue, our cabin delivers maximum comfort by offering more legroom, a suspension seat, and an exceptionally low noise level of LpA 76dB. (Canopy noise level: LpA 74dB.) It's comparable to our 3-ton KX-3 series cabin, and is also equipped with a Roll-Over Protective Structure (ROPS) and Falling Objects Protective Structure (FOPS).



Boom cylinder

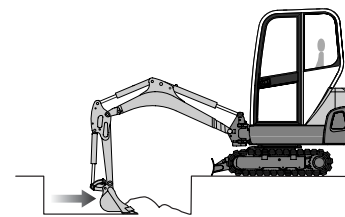
For increased reliability when performing in hazardous conditions, including demolition jobs when a breaker is fitted, we repositioned the boom cylinder above the boom to prevent cylinder damage. Lifting power has also increased by changing the boom cylinder's diameter and pressure.

Cabin door space

By increasing the cabin door space by a generous 185mm, easy entering and exiting is now possible. Previous model: 300mm. KX36-3: 485mm.

Variable displacement pump

This new feature enhances performance and fuel efficiency while also reducing operator fatigue. It enables the KX36-3 to operate more smoothly.



Balanced performance

To provide more balance and stability, the KX36-3's tumbler distance has been increased. Plus, the track shoe width has also been expanded from 200mm to 230mm.

Easy maintenance and high durability keep you working longer.

Quick maintenance

Accessing the engine is easy, thanks to a full-open rear bonnet. For quick daily maintenance, simply open the rear cover panel to expose oil filter, coolant, air filter, radiator, and more.



Kubota engine

The Kubota D782 engine with a 778cc displacement provides economical and environmentally clean power.

Bucket cylinder hoses

To greatly extend service life, both the bucket cylinder hoses and auxiliary hydraulic pipes have been routed through the arm for maximum protection.



Lock system

To prevent unexpected machine movement, the safety lever must be raised to lock out the travel levers and pilot controls before the engine will start.

Dozer cylinder hoses

Utilising a new, convenient two-piece design, the dozer cylinder hoses can now be easily replaced wherever you're working.

